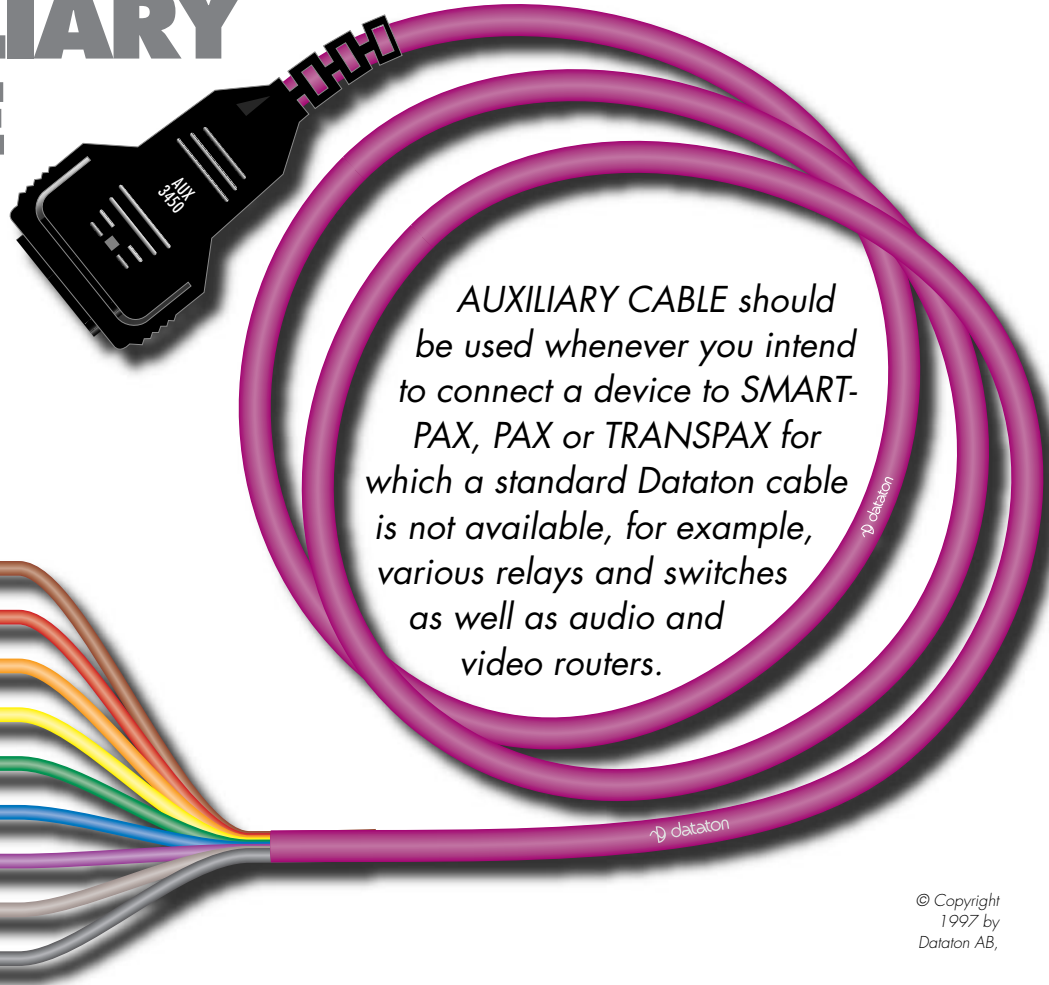


AUXILIARY CABLE

Art. No. 3450



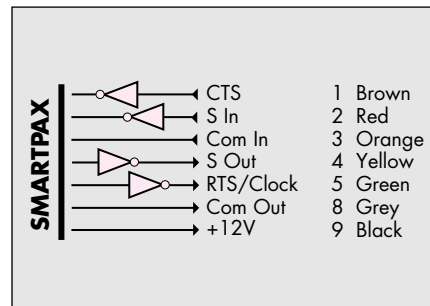
AUXILIARY CABLE should be used whenever you intend to connect a device to SMART-PAX, PAX or TRANSPAX for which a standard Dataton cable is not available, for example, various relays and switches as well as audio and video routers.

Brown - 1
Red - 2
Orange - 3
Yellow - 4
Green - 5
Blue - 6
Violet - 7
Grey - 8
Black - 9

© Copyright
1997 by
Dataton AB,

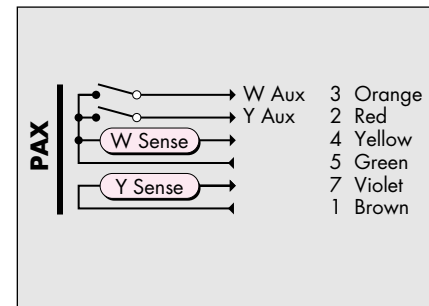
WITH SMARTPAX

If you need to connect a device to SMARTPAX for controlling or sensing purposes and there is no standard smartlink available, use AUXILIARY CABLE. The SMARTPAX pin-out and functions are shown below.



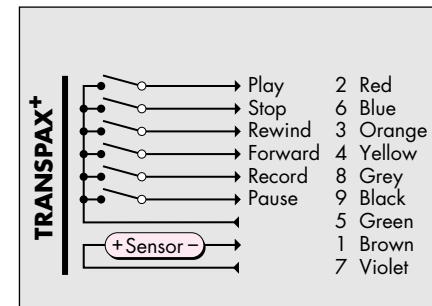
WITH PAX

With PAX you have access to two relays, designated W Aux and Y Aux. These can handle 24V 1A. If AUXILIARY CABLE is used to connect these relays to external power relays or other inductive loads, the included varistors must be connected in parallel with the W Aux and Y Aux relays.



WITH TRANSPAX

The **TAPE** connector on TRANSPAX may be used for controlling most analog, open-reel tape recorders. If no suitable standard cable is available, use AUXILIARY CABLE. TRANSPAX pin-out and functions are shown below.



NOTE

If you are not sure how to make the connection, get in touch with your Dataton dealer or the Dataton support team at e-mail: support@dataton.se for more information.