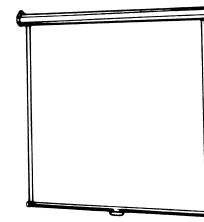


**QUALITY FEATURES FOR BETTER PICTURES,  
EASIER OPERATION, LONGER LIFE**

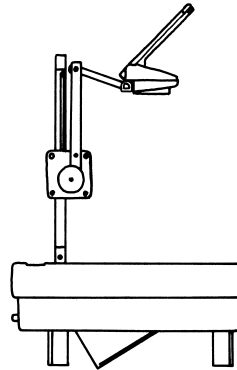
- Completely automatic operation...  
Flip the switch and built-in adjustable limit switches control up and down travel.
- Stops in intermediate positions...  
for wide screen projection.
- Easily installed...  
Fastens to wall or ceiling with two screws or hooks. Cord plugs into standard 110-120 AC outlet.
- Always ready for the show...  
No storage problems. Attractive slimline metal case makes a handsome addition to any room.
- Incomparable picture reproduction...  
with Da-Lite's glass beaded or non-gloss Matte White surface.
- Ideal projection screen...  
for family centers, recreation rooms, dens, clubs, church rooms, offices, classrooms, small conference rooms.

**DA-LITE IS MORE  
THAN PROJECTION SCREENS**

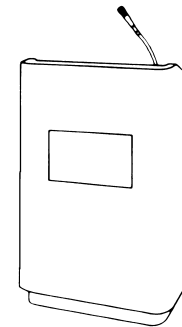
Da-Lite Tripod, Wall &  
Ceiling and Electric Screens



Da-Lite Overhead and  
Opaque Projectors



Da-Lite  
Model 5000 Portable



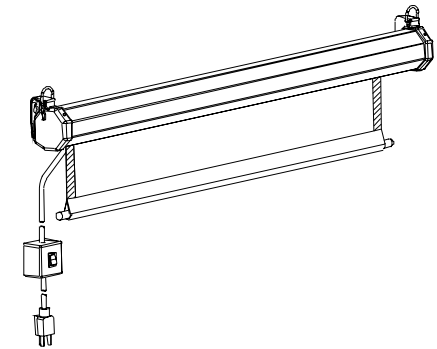
Da-Lite Lecterns  
Communications  
Cabinets



Da-Lite  
Project-O-Stands  
and Easels

**DA-LITE**

**AUTOMATIC/ELECTRIC  
WALL/CEILING PROJECTION SCREENS**



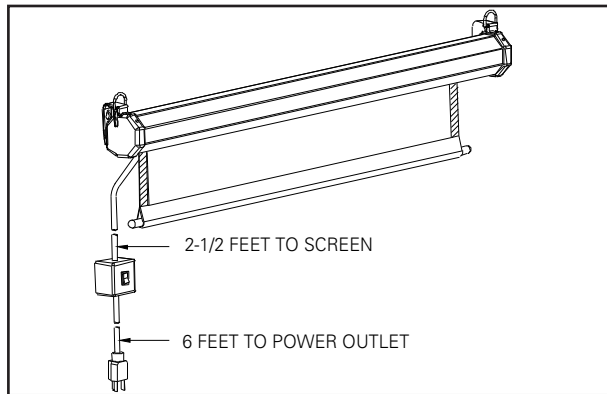
**OPERATING INSTRUCTIONS  
FOR**

**SLIMLINE ELECTROL**

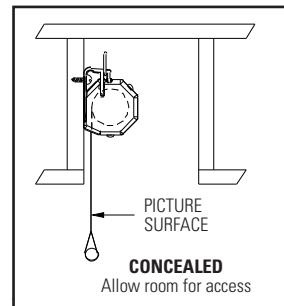
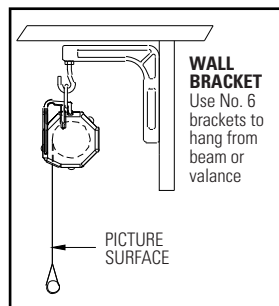
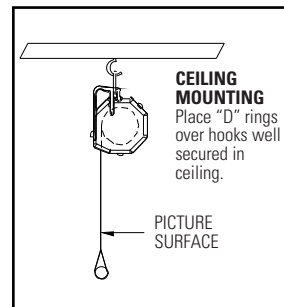
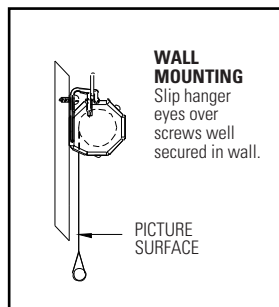
**DA-LITE SCREEN  
COMPANY, INC.**  
3100 North Detroit Street  
Post Office Box 137  
Warsaw, IN 46581-0137  
Phone: 219/267-8101  
800-622-3737  
Fax: 219/267-7804  
[http:// www.da-lite.com](http://www.da-lite.com)  
e-mail: [info@da-lite.com](mailto:info@da-lite.com)

### 3-POSITION SWITCH FOR SLIMLINE

Complete with cable, is standard with the Slimline Electrol.



### SUGGESTED METHODS OF INSTALLATION



### OPERATING INSTRUCTIONS

#### TO LOWER SCREEN SURFACE

Press lower end of slide switch. Screen will stop in the "DOWN" position automatically.

#### TO RAISE SCREEN SURFACE

Press upper end of slide switch. Screen will stop in the "UP" position automatically.

#### TO STOP SCREEN

Screen may be stopped in any intermediate position by positioning slide switch to center "OFF" position.

NOTE: It is suggested that when screen is not in use, the slide switch should be positioned to center "OFF" position.

### CARE OF SCREENS

1. Examine surface to be sure it is free of insects, dirt or foreign matter before rolling into case.
2. Screen may be operated as frequently as necessary but should not be run up and down continuously. To do so will cause the motor to overheat and the thermal overload to cut out. Should this occur, it will be necessary to wait for the motor to cool sufficiently to resume operation.
3. Motor does not require lubrication.

