

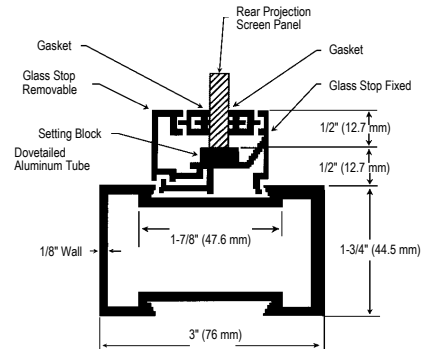
FACTORY INSTALLED FRAMING OPTIONS

Da-Lite offers optional frames that not only protect the screen but are professional, good looking and allow for easy installation.

Deluxe Frame

- Impressive architectural design adds sophistication to any installation.
- 1-3/4" x 3" rectangular base tube.
- Dovetail frame eliminates light leakage.
- Black anodized finish.
- Frame insert size equals screen viewing area plus 5-1/2".

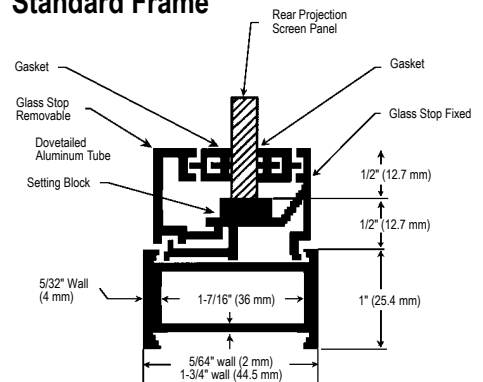
Deluxe Frame



Standard Frame

- Same great features as the deluxe frame but 1" x 1-3/4" base tube.
- Dovetail frame eliminates light leakage.
- For screen panels up to 6' x 10'.
- Black anodized finish.
- Frame insert size equals screen viewing area plus 4".

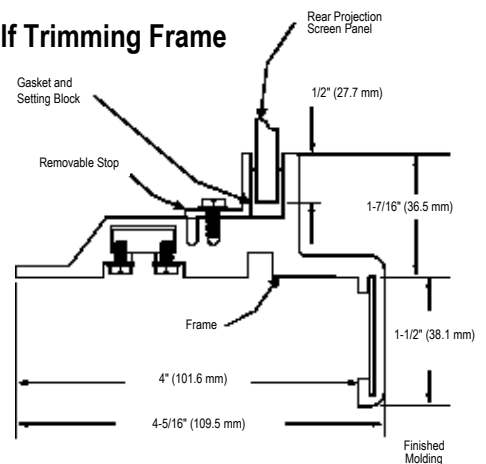
Standard Frame



Self Trimming Frame

- Eliminates the need for finish trim for fast, easy installation.
- Built-in 1-1/2" wide molding to hide opening.
- Black anodized finish.
- Frame insert size equals screen viewing area plus 2-7/8".

Self Trimming Frame



Base Frame

- Mitered corners eliminate rear light leaks without caulking.
- Black anodized finish.
- Constructed of lightweight extruded aluminum U-channel.
- Frame dimensions equal viewing area plus 2-1/2".

Base Frame

