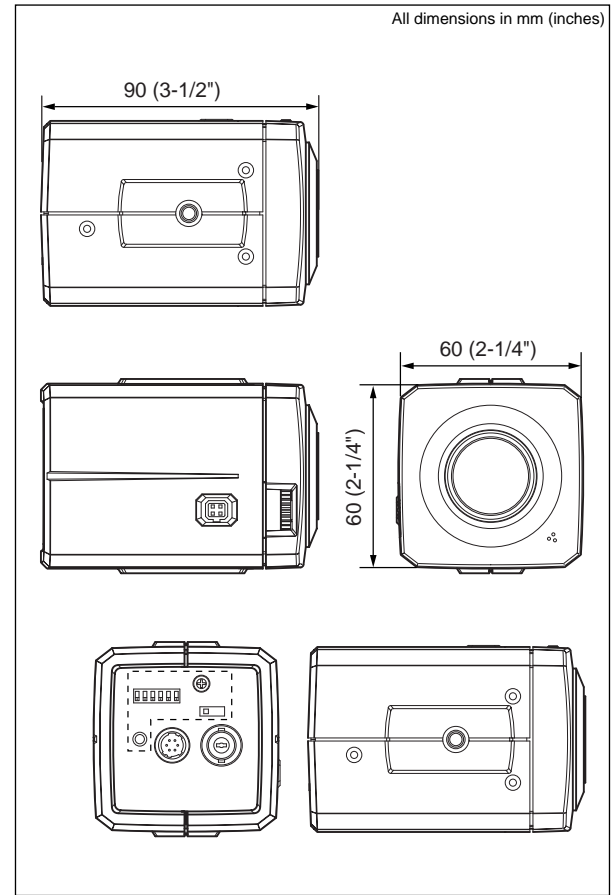


# High Resolution 1/2" Color CCD Camera Industrial / OEM Camera Module **HC7001**

## SPECIFICATIONS

Image Sensor	1/2" Interline Transfer Color CCD
Effective Pixels	768 (H) x 494 (V)
TV System	NTSC 2:1 Interlaced
Synchronization	Internal
Resolution	480 TVL(H), 350 TVL (V)
S/N Ratio	50dB at AGC OFF
Min. Sensitivity	1.8 lx @ F1.2
AGC	ON-OFF switch built-in
White Balance	ATW/AWC/Preset
Electronic Shutter	1/60, 1/100, 1/250, 1/500, 1/1,000, 1/2,000, 1/4,000, 1/10,000sec.
Automatic Shutter	Built-in, 1/60 - 1/100,000sec. linear
Video Outputs	VBS: 1.0Vp-p 75 ohm BNC Connector on back panel Y/C: 6P Connector on back panel
Auto Iris Lens	DC/Video, 4P Connector on side panel
Lens Mount	CS Mount/ C Mount with supplied 5mm ring
Power Source	DC12V (DC11V - 16V) 6P Connector
Dimensions (WxHxD)	60 x 60 x 90mm (2-1/4 x 2-1/4 x 3-1/2")
Weight	300gram (12oz)
Attachments	Owner's manual, Warranty card, 5mm ring, 6P connector & 4P connector for auto iris

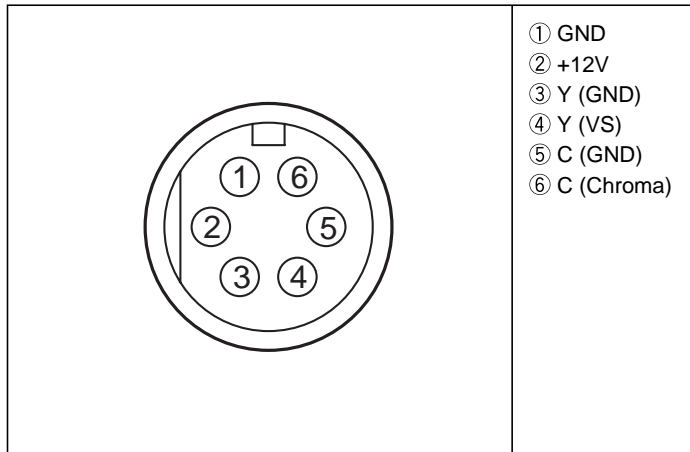
## PROFILE



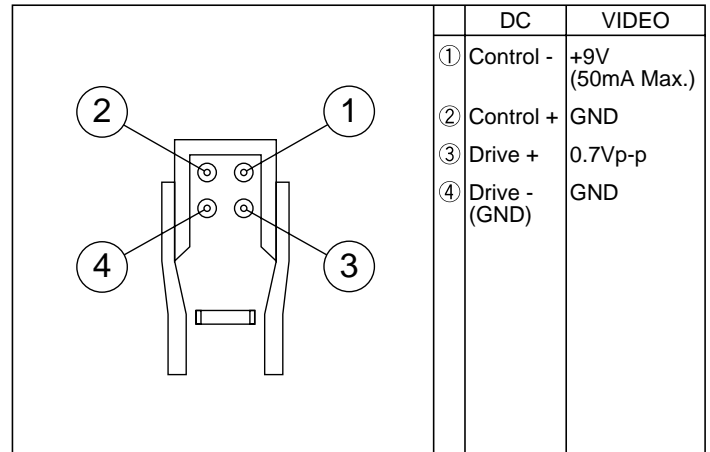
Note : Design and specifications are subject to change without prior notice.  
Dimensions and weight are approximate.

## View of the connectors

### 6P receptacle



### 4P receptacle for auto iris



**ELMO ELMO CO., LTD.**

Additional technical information is available from any of the following subsidiary companies;

**ELMO Mfg. Corp.**  
1478 Old Country Road,  
Plainview, NY 11803-5034, U.S.A.  
Tel. 516-501-1400 Fax. 516-501-0429  
E-mail:elmo@elmousa.com  
Web:http://www.elmousa.com

**ELMO Canada Mfg. Corp.**  
44 West Drive, Brampton,  
Ontario, L6T 3T6, Canada  
Tel. 905-453-7880 Fax. 905-453-2391  
E-mail:info@elmocanada.com  
Web:http://www.elmocanada.com

**ELMO (Europe) G.m.b.H.**  
Neanderstr 18,  
40233 Düsseldorf, Germany  
Tel. 0211-376051-53 Fax. 0211-376630  
E-mail:elmoeurope@AOL.com  
Web:http://www.elmo.de/

6-14, Meizen-cho, Mizuho-ku,  
Nagoya, 467-8567, Japan  
E-Mail:foreign-div@elmo.co.jp

Distributed by