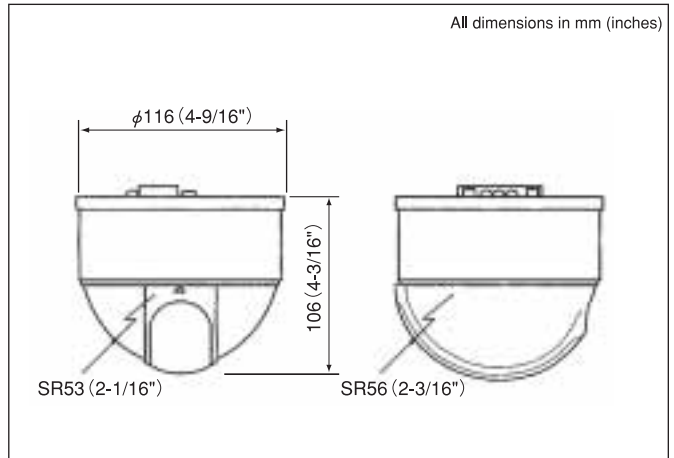


High-Resolution DSP Color Dome Camera TND4004

PROFILE



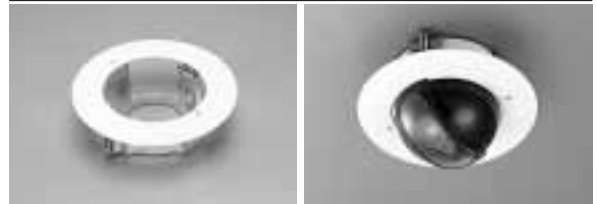
SPECIFICATIONS

Pick-up Device	1/3" Color interline transfer CCD
Effective Picture Element	768 (H) × 494 (V)
Scanning Area	4.88mm (H) × 3.66mm (V)
TV System	NTSC compatible
Scanning System	2:1 interlaced
Scanning Frequency	LL:15.75kHz (H) , 60Hz (V) INT:15.734kHz (H) , 59.95Hz (V)
Synchronization	Line-lock/Internal
Resolution	480TV lines (H) , 350TV lines (V)
S/N Ratio	50dB
Minimum Illumination	3lx (F1.4)
Automatic Gain Control(AGC)	Built-in
Sensitivity Up Control	With ON-OFF switch
White Balance	ATW/AWC/Manual/Preset
Backlight Compensation	With ON-OFF switch
Video Out	VBS 1.0Vp-p 75Ω, Terminal strip
Built-in Lens	F1.4, f=2.8~6mm Var-focal, Auto-iris
Angle of View	Horizontal : 47° (Tele) ~ 96° (Wide) Vertical : 36° (Tele) ~ 72° (Wide)
Power Source	AC24V / DC12V
Power Consumption	Approx. 3.5W
Ambient Temperature	-10° ~ +50°C (14° ~ 122°F)
Ambient Humidity	Less than 90%
Dimensions	Diameter : 116mm (4-9/16") Height : 106mm (4-3/16")
Weight	500g (1.1lbs)

NOTE: Design and specifications are subject to change without prior notice.
*Dimensions and weight are approximate.

OPTIONAL ACCESSORIES

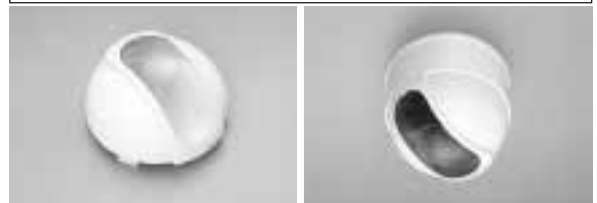
Embedding Metal Fitting EB-413A Code:9836



Wall Mounting Metal Fitting EB-413B Code:9837



White Dome Cover CW-413 Code:9838



ELMO ELMO CO., LTD.

Additional technical information is available from any of the following subsidiary companies;

ELMO Mfg. Corp.

1478 Old Country Road, Plainview, NY 11803-5034, U.S.A.
Tel. 516-501-1400 Fax. 516-501-0429
E-mail:elmo@elmousa.com
Web: <http://www.elmousa.com>

ELMO Canada Mfg. Corp.

44 West Drive, Brampton, Ontario, L6T 3T6, Canada
Tel. 905-453-7880 Fax.905-453-2391
E-mail:info@elmocanada.com
Web: <http://www.elmocanada.com>

ELMO (Europe) G.m.b.H.

Neanderstr 18, 40233 Düsseldorf, Germany
Tel. 0211-376051-53 Fax.0211-376630
E-mail:elmo@elmo.de
Web: <http://www.elmo.de>

Distributed by